

INFRARED TOUCH SCREEN SPECIFICATION

SERIES _____ **MR Series** _____

MODEL _____ **MR42** _____

DATE _____ **2010.12.27** _____

DRAWN _____

CHECKED _____

APPROVED _____

CONFIRM _____

MTC TECHNICAL INSTITUTE

Address: 1/F South, Section 1, Industrial Building 25, Science & Technology Park ,NanShan
District ,ShenZhen 518057 .China

TEL: (86) 0755-26509349/26509215

FAX: (86) 0755-26507709

WEB: www.mtc.com.cn

CONTENTS

1. MECHANICAL	3
2. TOUCH CHARACTERISTICS	3
3. ELECTRICAL.....	4
4. ENVIRONMENT	4
5. SOFTWARE	4
6. CABLE INFORMATION.....	5
7. DRAWING	6

MR42

1. MECHANICAL

Housing	Sheet Iron, T=1.5
Touch size (out line)	1046.8 (W) × 639.7(D) × 15(H)mm
Detection area	930.4(W) × 523.3(D)mm
Weight	19.5Kg
Drawing	Refer to Appendix 7.

2. TOUCH CHARACTERISTICS

Input Method	Finger or touch pen
Touch Activation Force	Non Minimum activation force
Position Accuracy	2mm
Resolution	65,535(W) × 65,535(D)
Response Time	Touch: 5ms to 16ms depending on configuration
	Typical response time : 8ms
Cursor Speed	120/sec
Glass	5mm glass, Transparence : 92% ~ 100%
	No glass, Transparence : 100%
Optics Number	163(W) × 92(D) pcs
Optics Cell Area	5.0(W) × 8.7(D)mm ²
Object Touch Size	≥ Ø5mm
Touch Intensity	Over 60,000,000 single point touch

3. ELECTRICAL

Operating Voltage	DC 4.6V ~ DC 5.0V	
Power	1.5W (380mA at DC 5V)	
Anti -Static Discharge	Touch Discharge, Grade 2: Lab Vol 4KV	Standard B
	Air Discharge, Grade 3: Lab Vol 8KV	
Power Supply	USB from powered hub	

4. ENVIRONMENT

Temperature	operating: -0 °C ~ 55 °C
	storage: -25°C ~ 85 °C
Humidity	operating: 10% ~90%
	storage: 10%~90%
Relative Humidity	40 °C, 90% RH
Anti – light Test	Incandescent lamp (220V,150W) , operating distance over 350mm
Altitude	3,000m
Interface	USB1.1 (full speed) , Plug and play Compatible, HID compatible
Detection Method	Pulsed Infrared rays, Software based ambient light filter
Seal Ability	IP62
Working Environment	Under sunlight ,indoor an out door
Application of Display	LCD、PDP、

5. Software

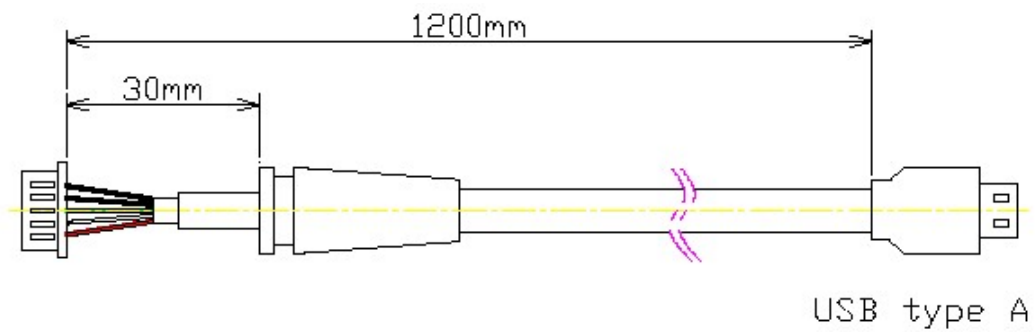
5.1 General Specification

Support OS	Windows XP, Vista, Windows 7 32bit and 64bit / Windows CE Linux / Mac OS * No device driver required
HID interface	Interface 0: Mouse Mode and stylus mode for windows 7 Interface 1: Pulse IR mode for control and Pulse IR multipoint support
Upgrade	Bootloader based firmware upgrading functionality

5.2 Multi-touch Functional Specification

GestureLink	Multitouch functionality link for none-multitouch contents
Windows 7	Windows 7 multitouch functionality
Pulse IR multitouch SDK support	See Pulse IR Developer' s Guide document
TUIO multitouch support	Specification 1.1 Windows TUIO support Linux TUIO support
TCP/UDP coordinate server	For remote touch application

6. Cable information



Pin #	Color	Description
5	Black	GND(shield)
4	Black	GND
3	Green	DDP
2	White	DDM
1	Red	VCC

7. drawing

